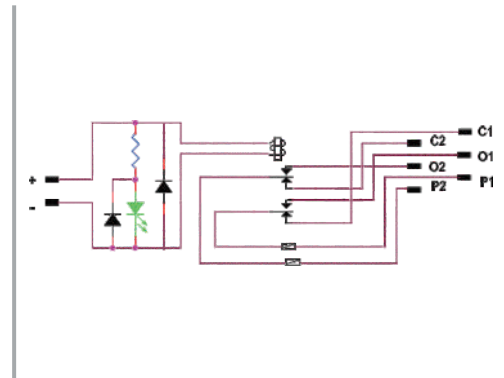
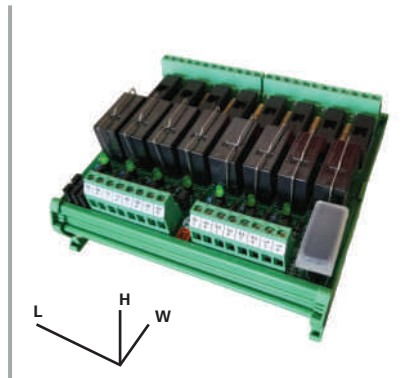


Standard Relay Modules

DC Relay Module, 2 C/O Contact with fuse in each contact

Features:

- Fast traceability of signal status through Channel-wise LED indications.
- Plug In Type Relays.
- Interchangeable Looping at Input side using jumpers.
- Reduces Installation & commissioning time.
- Compact in design.
- Universal Rail mounting.



Technical Data:

Input Data

Operating Voltage	12VDC	24VDC
Rated Current (mA)	40	25
Input Status LED/Ch	Green	
Back emf Protection/Channel	Free-wheeling Diode	
Positive/Negative Looping	User Selectable using Jumpers	


Output Data

Contact Configuration	DPDT, Potential Free
Contact Current Rating	8 A at 250 VAC 8 A at 30 VDC
Max. switching voltage	440 VAC, 300 VDC
Mechanical operation	18,000 /hr
Electrical operation	1,800 /hr
Dielectric strength between Contacts	1,000V AC, 50/60Hz. 1 min.
Protection	Fuse in each contacts

Termination Data

Terminal Type	Screw Terminal
Nominal Current	24A
Cross-section	2.5mm ²
Rated Voltage	250V
Rated surge Voltage	4KV
Solid/ Stranded [mm ² / mm ²] AWG	0.2-4/ 0.2-2.5/ 24-12
Stripping Length	8mm
Type of Insulation material	PA/ I
Tightening torque	0.6 Nm Max.


Relay Data

Relay Make	Omron, G2RL Series or Equivalent
Contact Type	2 Change Over
Approvals	

Relay Socket

Rated values	5A AC/ DC, 250V rms
Dielectric strength	2000V AC rms for 1 min.
Insulation resistance	1000MΩ at 500V DC
Standard conformity	EN 60947-5-1/ IEC 947-5-1
Ambient temperature	-45 to +120 °C

General Data

Ambient temperature	0°C to +60°C
Relative humidity	Max. 90% (Non-condensing)
PCB design	UL standard ANSI IPC 2221, 2222 & MIL 275B
Screw- Terminals	UL, CSA Standard & CE standard
Mounting	Din Rail Mountable
Approval	

Ordering details

Channel	Part Code	Ordering Code	Size in mm (L x W)
4	UL24D04-OF-2COB	086030400006	102 x 126
8	UL24D08-OF-2COB	086010100013	188 x 126
16	UL24D16-OF-2COB	086010200002	362 x 126

- Note:**
- Relay Coil Voltage with 48VDC, 110VDC are available on request.
 - Other option available in Relay modules such as
 - 1) Relay module with common -ve or common +ve looping only
 - 2) With Normally Open contacts
 - 3) Wetted contacts or Pot free /Wetted selectable.
 - 4) Fuse rating 2Amp./5Amp.