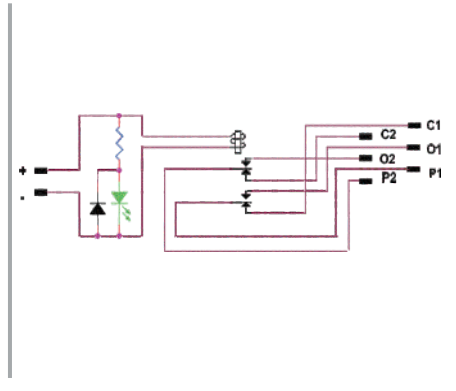
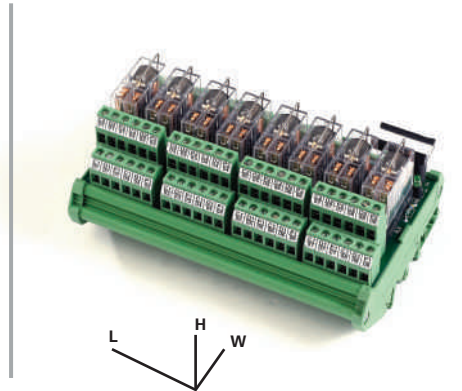


Standard Relay Modules

AC Relay Module with 2 C/O Contact

Features:

- Fast traceability of signal status through Channel-wise LED indications.
- Plug In Type Relays.
- Reduces Installation & commissioning time.
- Compact in design.
- Universal Rail mounting.



Technical Data:

Input Data

Operating Voltage	24VAC	110VAC	230VAC
Rated Current (mA)	58.8	16.2	10.3
Input Status LED/Ch	Green		
Back emf Protection/Channel	-		
Positive/Negative Looping	-		

Output Data

Contact Configuration	DPDT, Potential Free
Contact Current Rating	5 A at 250 VAC 5 A at 30 VDC
Max. switching voltage	440 VAC, 300 VDC
Mechanical operation	18,000 /hr
Electrical operation	1,800 /hr
Dielectric strength between Contacts	1,000V AC, 50/60Hz. 1 min.

Termination Data

Terminal Type	Screw Terminal
Nominal Current	24A
Cross-section	2.5mm ²
Rated Voltage	250V
Rated surge Voltage	4KV
Solid/ Stranded [mm ² / mm ²] AWG	0.2-4/ 0.2-2.5/ 24-12
Stripping Length	8mm
Type of Insulation material	PA/ I
Tightening torque	0.6 Nm Max.


Relay Data

Relay Make	Omron, G2R Series or Equivalent
Contact Type	2 Change Over
Approvals	

Relay Socket

Rated values	5A AC/ DC, 250V rms
Dielectric strength	2000V AC rms for 1 min.
Insulation resistance	1000MΩ at 500V DC
Standard conformity	EN 60947-5-1/ IEC 947-5-1
Ambient temperature	-45 to +120 °C

General Data

Ambient temperature	0°C to +60°C
Relative humidity	Max. 90% (Non-condensing).
PCB design	UL standard ANSI IPC 2221, 2222 & MIL 275B
Screw- Terminals	UL, CSA Standard & CE standard
Mounting	Din Rail Mountable
Approval	

Ordering details for 110VAC, 2C/O Relay Module

Channel	Part Code	Ordering Code	Size in mm (L x W)
1	UL110A01-2COB	On request	38 x 90
4	UL110A04-2COB	086030400035	102 x 90
6	UL110A08-2COB	086010100012	182 x 90

Ordering details for 230VAC, 2C/O Relay Module

1	UL230A01-2COB	086030100002	38 x 90
2	UL230A02-2COB	086030200008	60 x 90
4	UL230A04-2COB-V1	086010300001	102 x 90
8	UL230A08-2COB	086010100011	182 x 90

Ordering details for 24VAC, 2C/O Relay Module

2	UL24A02-2COB	086030200030	62 x 90
4	UL24A04-2COB	086030400038	107 x 90
6	UL24A06-2COB	086030800001	152 x 90
8	UL24A08-2COB	086010100046	192 x 90