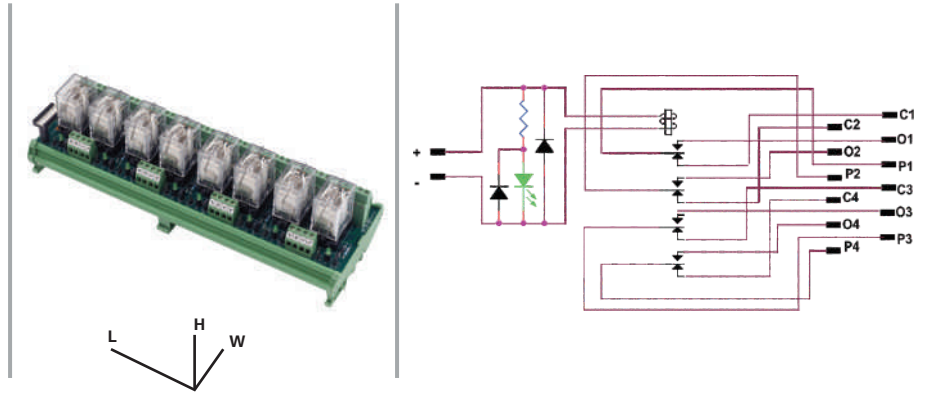


# Standard Relay Modules

## DC Relay Module with 4 C/O Contact

### Features:

- Fast traceability of signal status through Channel-wise LED indications.
- Plug In Type Relays.
- Reduces Installation & commissioning time.
- Compact in design.
- Universal Rail mounting.



### Technical Data:

#### Input Data

Operating Voltage	24VDC
Rated Current (mA)	42
Input Status LED/Ch	Green
Back emf Protection/Channel	Free-wheeling Diode
Positive/Negative Looping	User Selectable using Jumpers


#### Output Data

Contact Configuration	4C/O, Potential Free
Contact Current Rating	3 A at 220 VAC 3 A at 24 VDC
Max. switching voltage	250 VAC, 125 VDC
Mechanical operation	18,000 /hr
Electrical operation	1,800 /hr
Dielectric strength between Contacts	1,000V AC, 50/60Hz. 1 min.

#### Termination Data

Terminal Type	Screw Terminal
Nominal Current	24A
Cross-section	2.5mm <sup>2</sup>
Rated Voltage	250V
Rated surge Voltage	4KV
Solid/ Stranded [mm <sup>2</sup> / mm <sup>2</sup> ] AWG	0.2-4/ 0.2-2.5/ 24-12
Stripping Length	8mm
Type of Insulation material	PA/ I
Tightening torque	0.6 Nm Max.

#### Relay Data

Relay Make	Omron, MY4 Series or Equivalent
Contact Type	4 Change Over
Approvals	

#### Relay Socket

Rated values	5A AC/ DC, 250V rms
Dielectric strength	2000V AC rms for 1 min.
Insulation resistance	1000MΩ at 500V DC
Standard conformity	EN 60947-5-1/ IEC 947-5-1
Ambient temperature	-45 to +120 °C

#### General Data

Ambient temperature	0°C to +60°C
Relative humidity	Max. 90% (Non-condensing)
PCB design	UL standard ANSI IPC 2221, 2222 & MIL 275B
Screw- Terminals	UL, CSA Standard & CE standard
Mounting	Din Rail Mountable
Approval	

#### Ordering details for 24VDC, 4C/O Relay Module

Channel	Part Code	Ordering Code	Size in mm (L x W)
2	UL24D02-4COB	086030200006	80 x 90
4	UL24D04-4COB	086030400015	140 x 90
8	UL24D08-4COB	086010100016	267 x 90